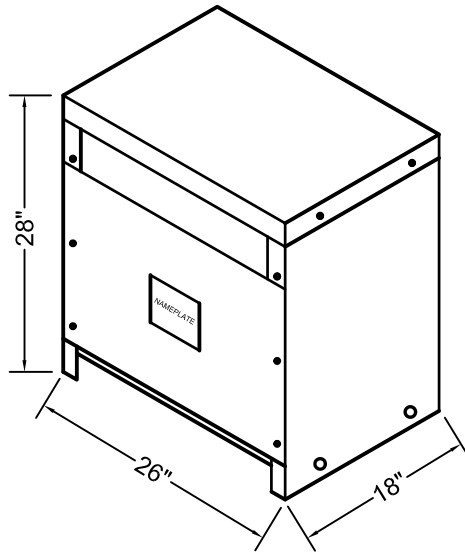
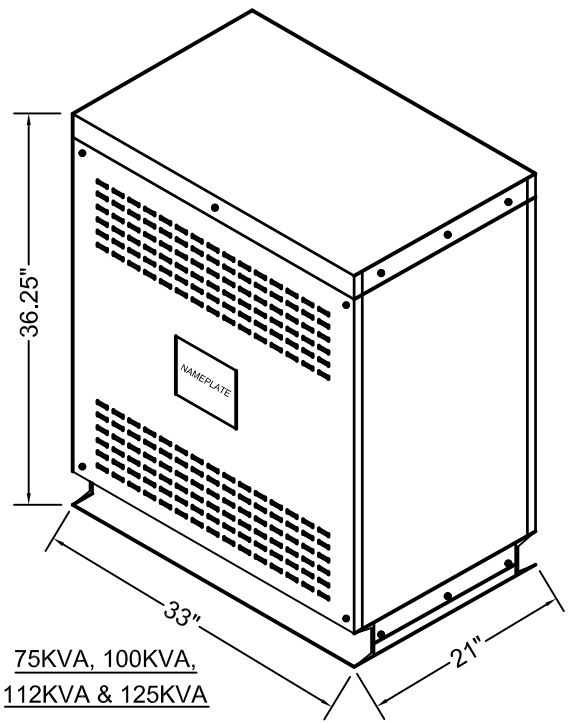


3.0KVA, 7.5KVA & 15KVA

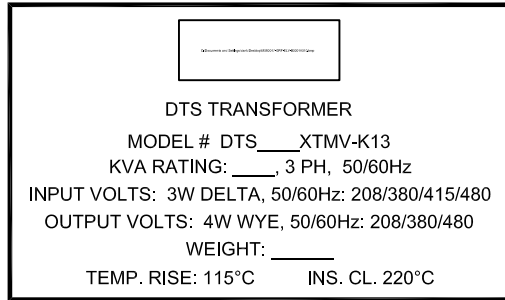


25KVA, 30KVA, 45KVA,
50KVA & 62.5KVA



75KVA, 100KVA,
112KVA & 125KVA

TYPICAL NAMEPLATE

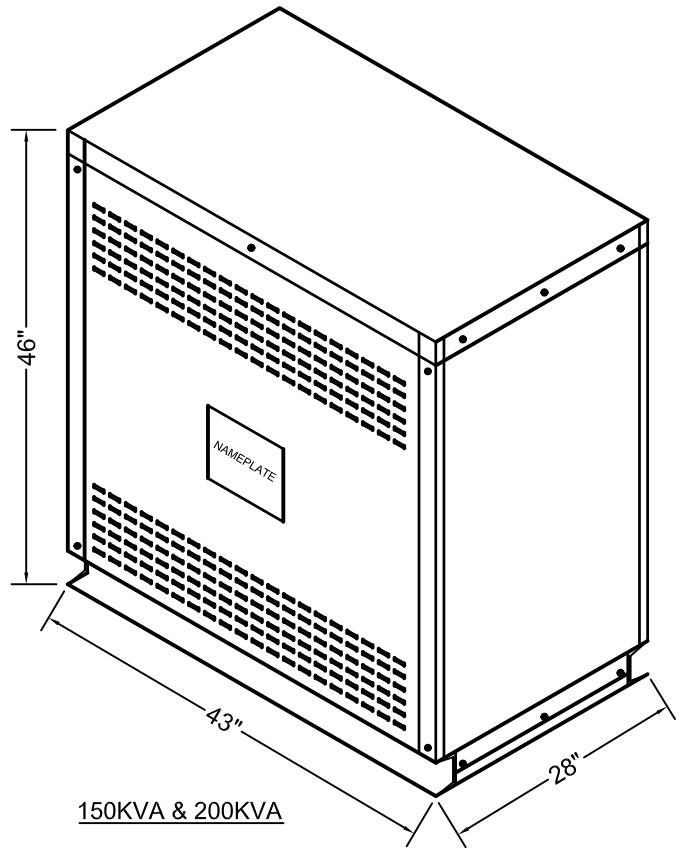


NOTES:

1. ALL INPUT VOLTAGES ARE: 3W DELTA, 50/60Hz: 208/380/415/480
2. ALL OUTPUT VOLTAGES ARE: 4W WYE, 50/60Hz: 208/380/480
3. * MODEL # W / "STMV" INDICATES SINGLE PHASE.

DTS DATA TABLE

MODEL #	KVA	SIZE			WEIGHT LBS	DRAWING #
		W	D	H		
DTS3.0XTMV-K13	3.0	22.5	15	23	200	MASTER-DTS-SPC-A0021-01
DTS7.5XTMV-K13	7.5	22.5	15	23	205	MASTER-DTS-SPC-A0012-01
* DTS7.5STMV-K13	7.5	22.5	15	23	170	MASTER-DTS-SPC-A0023-01
DTS15XTMV-K13	15	22.5	15	23	275	MASTER-DTS-SPC-A0001-01
DTS25XTMV-K13	25	26	18	28	525	MASTER-DTS-SPC-A0003-01
DTS30XTMV-K13	30	26	18	28	585	MASTER-DTS-SPC-A0009-01
DTS45XTMV-K13	45	26	18	28	700	MASTER-DTS-SPC-A0005-01
DTS50XTMV-K13	50	26	18	28	720	MASTER-DTS-SPC-A0013-01
DTS62.5XTMV-K13	62.5	26	18	28	800	MASTER-DTS-SPC-A0014-01
DTS75XTMV-K13	75	33	21	36.25	1000	MASTER-DTS-SPC-A0015-01
DTS100XTMV-K13	100	33	21	36.25	1400	MASTER-DTS-SPC-A0016-01
DTS112XTMV-K13	112	33	21	36.25	1450	MASTER-DTS-SPC-A0008A01
DTS125XTMV-K13	125	43	28	46	1600	MASTER-DTS-SPC-A0017-01
DTS150XTMV-K13	150	43	28	46	1700	MASTER-DTS-SPC-A0018-01
DTS200XTMV-K13	200	43	28	46	2100	MASTER-DTS-SPC-A0007-01
DTS300XTMV-K13	300	57	37	61	2800	MASTER-DTS-SPC-A0022-01
DTS600XTMV-K13	600	CONTACT FACTORY FOR DETAILS				



150KVA & 200KVA

LTR.	LOG #	DESCRIPTION	REV. BY	DATE	APPR.
REVISION					
DWN BY	W.L.G.	DATE	5/23/08		
CHKD BY	EMD	DATE	6/24/08		
APPVD BY	EMD	DATE	6/24/08		
ISSD BY	W.L.G.	DATE	6/24/08		
DISK FILE		JOB NO.	DRAWING NO.		
		MASTER-DTS-SPC-A0011-01			
GOV. APPVL.	PLOT SCALE	FIT	WEIGHT	SHEET 1 OF 1	

Power Systems & Controls PO Box 27306
Richmond, Va. 23261

TITLE SERIES DTS
TRANSFORMER ELEVATIONS & RATINGS