

Power Systems & Controls

SERIES MBP - MAINTENANCE BYPASS SWITCH



The PS&C Maintenance Bypass Switch (MBP) is designed to provide a means of isolating any UPS System while maintaining electrical power to the critical load. This is necessary to accommodate the routine maintenance and testing necessary with a UPS. The

PS&C MBP contains electrically operated molded case switches and reliable logic to allow a closed transition (make before break) from the UPS internal Bypass to the external maintenance bypass.

The MBP is easily operated from it's front panel with one button operation. Large, easy to read, lamps show the current status of the switch allowing the

operator to quickly determine the source of the power to the critical load and switch lookout status.

The internal logic constantly monitors the UPS internal bypass status and will lockout MBP operation until the UPS system transfers to it's bypass mode. This feature avoids the possibility of mis-operation of the switch that could place the UPS in parallel with the utility possibly damaging the critical load. The MBP logic also insures that the critical load is never transferred to a dead bus by monitoring for power before allowing any transfers. Simply stated, anyone can operate this switch.

The PS&C MBP is designed to be used with any UPS system (static or rotary) that can furnish a dry contact opening when it's internal bypass is closed.

Design permits total manual operation in the event of a total power failure.

Standard Equipment Features

- Three Phase, 3 or 4 Wire
- Make-Before-Break Operation
- NEMA Enclosure suitable for wall mounting
- Lockout circuit provided for UPS bypass authorization
- Design life 20+ years
- Large, long life LED lamps;
 - Load on UPS
 - Load on Maintenance Bypass
 - Transfer lockout

Standard sizes from 100 to 1,000 amps, 208 VAC to 600 VAC, 50 Hz to 60 Hz.

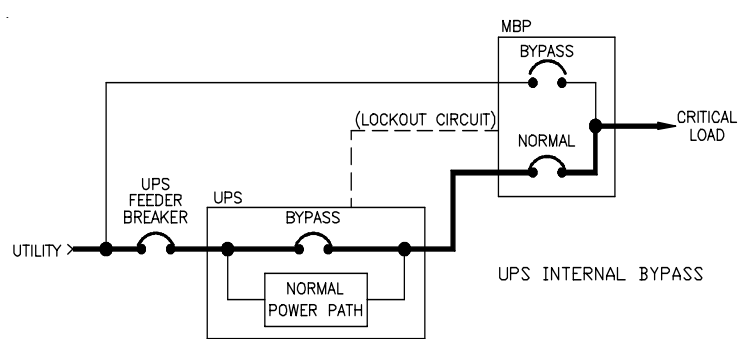
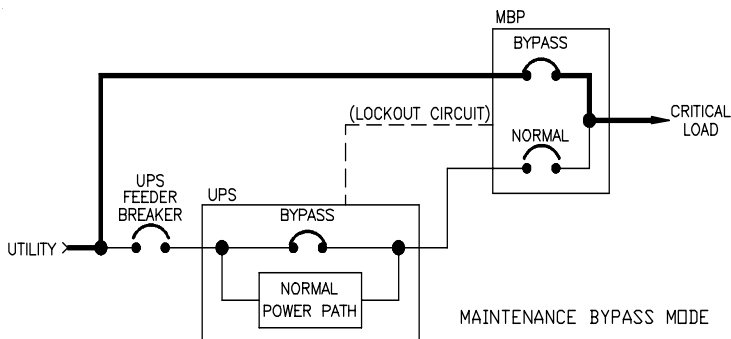
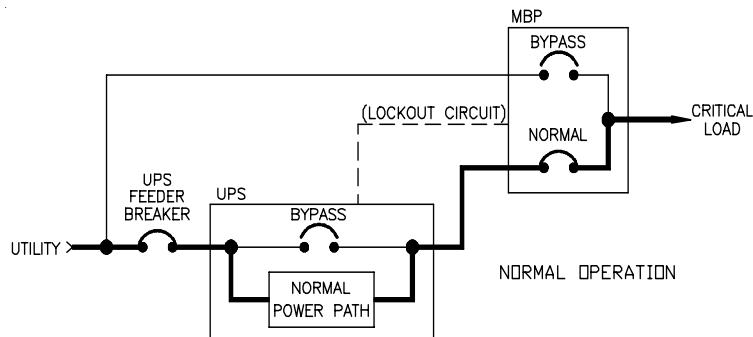
Optional Features

- Break-Before-Make Operation
- Remote Annunciation
- Key Locks to prevent unauthorized operation

System Specifications

UPS KVA	208V FLA	MBP SIZE	220V FLA	MBP SIZE	240V FLA	MBP SIZE	260V FLA	MBP SIZE	380V FLA	MBP SIZE	480V FLA	MBP SIZE	600V FLA	MBP SIZE
30	83	100	79	100	72	100	67	100	46	100	36	100	29	100
50	139	200	131	200	120	200	111	200	76	100	60	100	48	100
65	180	200	171	200	156	200	144	200	99	100	78	100	63	100
75	208	300	197	200	180	200	167	200	114	200	90	100	72	100
100	278	300	262	300	241	300	222	300	152	200	120	200	96	100
125	347	500	328	500	301	300	278	300	190	200	150	200	120	200
150	416	500	394	500	361	500	333	500	228	300	180	200	144	200
200	555	650	525	650	481	500	444	500	304	300	241	300	192	200
250	694	1000	656	1000	601	650	555	650	380	500	301	300	241	300
313	869	1000	821	1000	753	1000	695	1000	476	500	376	500	301	300
438	1216	CF	1149	CF	1054	CF	973	1000	665	1000	527	650	421	500
500	1388	CF	1312	CF	1203	CF	1110	CF	760	1000	601	650	481	500
625	1735	CF	1640	CF	1504	CF	1388	CF	950	1000	752	1000	601	650
750	2082	CF	1968	CF	1804	CF	1665	CF	1140	CF	902	1000	722	1000
875	2429	CF	2296	CF	2105	CF	1943	CF	1329	CF	1052	1200	842	1000

CF = Contact Factory for Sizing



Power Systems & Controls reserves the right to improve, enhance and modify the features and specifications of its products and services without prior notification.

POWER SYSTEMS
& CONTROLS
 THE POWER IS ON!