

SERIES MC

ROTARY UPS (25-400kva)

The **Series MC** is a Hybrid Rotary UPS ranging from 25 to 400kva at both 50 and 60 HZ. The product line is designed in a small footprint UPS designed to provide the same uncompromising reliability as PS&C's large rotary UPS systems. This package is suitable for the computer room or the plant floor. The **Series MC** UPS includes the best features of rotary power systems as well as the ultimate in power protection. The **Series MC** provides clean, conditioned, uninterruptible power for critical loads such as data centers, emergency facilities and industrial processes. The modules are 100% on-line operation and 100% electrically isolated from utility to load. With an automatic system bypass and a wide input range the unit will protect the load from small anomalies to long time power outages. The user interface is a 6" color touch screen which offers the operator access to full control as well as system configuration setup and monitoring.



Standard Equipment Features

- AC induction motor
- Brushless synchronous generator
- +10% output voltage adjustment
- Over/under output voltage protection
- Sound and vibration isolated enclosure
- Vertical motor-generator configuration for minimum footprint (some models)
- Battery float voltage automatically adjusts for low AC input voltages
- Superior motor starting capability
- Adjustable battery current limit
- Input THD filter -- meets IEEE 519
- Overload protection
- Touch screen interface
- Digital metering and controls
- PLC control and internal fault monitors
- Input voltage tolerance of +10%, -20% without use of battery
- Electrically operated input and output circuit breakers

Optional Features

- Remote monitor (Status & Control)
- Remote touch screen (Standard & Fiber optic)
- Modem, serial port & profibus
- Single phase output
- Maintenance bypass
- Paralleling capability
- Remote Communications
- "Turn Key" Installation



POWER SYSTEMS
& CONTROLS
THE POWER IS ON!

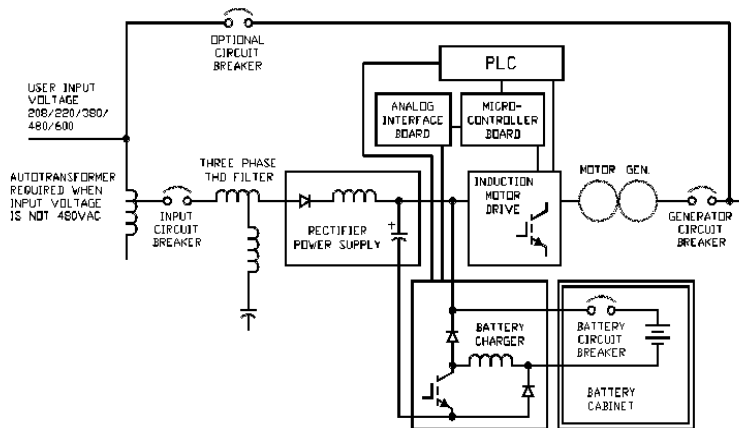
System Specifications

*Note: System performance shown is typical and is dependent upon M-G sizing, options desired, and loading of the system.

| INPUT | | | | | OUTPUT | |
|---------------------------------|--|--------------------------|--|--|---------------------------|--|
| Nominal Voltage Available | | | | | Nominal Voltage Available | |
| ➤ @ 60 Hz | | 208, 240, 480, 600 | | | ➤ @ 60 Hz | |
| ➤ @ 50 Hz | | 380, 415 | | | ➤ @ 50 Hz | |
| ➤ Phase | | 3 Phase 4 Wire+ Ground | | | ➤ Phase | |
| ➤ Frequency Tolerance | | 55 to 65 or 45 to 55 | | | ➤ Frequency Regulation | |
| ➤ Magnitude Tolerance | | | | | ➤ Adjustment | |
| ➤ Continuous | | +10%, -15% | | | ➤ Regulation | |
| ➤ Transient | | 1500v for 10 ms | | | ➤ Transients | |
| Power Factor | | | | | ➤ Recovery Time | |
| ➤ Power Factor | | 0.95 lagging @ full load | | | ➤ Steady State | |
| THD (Total Harmonic Distortion) | | | | | ➤ Single | |
| | | | | | ➤ Total | |
| Phase Separation | | | | | ➤ Balanced Load | |
| | | | | | ➤ 25% Unbalanced | |
| Overload Capacity | | | | | ➤ 110% | |
| | | | | | ➤ 125% | |
| | | | | | ➤ 150% | |
| | | | | | ➤ Power Factor | |
| | | | | | 0.8 | |
| Environment | | | | | | |
| | | | | | ➤ Temperature | |
| | | | | | ➤ MG | |
| | | | | | ➤ Console | |
| | | | | | ➤ Altitude | |
| | | | | | ➤ Humidity | |
| | | | | | ➤ Noise Level | |

| SERIES MC RATINGS, DIMENSIONS & WEIGHTS | | | | |
|---|-------------|-------------|------------|-------------|
| KVA / KW | L (CM) | W (CM) | H (CM) | W (KGS) |
| 30 / 24 | 36 (91.5) | 34.5 (87.6) | 76 (193) | 1950 (884) |
| 50 / 40 | 51 (130) | 34.5 (87.6) | 76 (193) | 3000 (1361) |
| 75 / 60 | 51 (130) | 34.5 (87.6) | 76 (193) | 3950 (1791) |
| 100 / 80 | 114 (289.6) | 34.5 (87.6) | 76 (193) | 4800 (2177) |
| 125 / 100 | 114 (289.6) | 34.5 (87.6) | 76 (193) | 5200 (2359) |
| 150 / 120 | 114 (289.6) | 34.5 (87.6) | 76 (193) | 5500 (2495) |
| 200 / 160 | 114 (289.6) | 34.5 (87.6) | 76 (193) | 6100 (2767) |
| 250 / 200 | 114 (289.6) | 34.5 (87.6) | 76 (193) | 6410 (2907) |
| 300 / 240 | 120 (304.8) | 34.5 (87.6) | 79.5 (202) | 7073 (3215) |

* Battery Cabinet dimensions depends upon runtime required



Power Systems & Controls reserves the right to improve, enhance and modify the features and specifications of its products and services without prior notification.

