

SERIES NB

BATTERYLESS (NO BREAK) UPS

The **Series NB** combines proven power protection systems in one complete package. Sizes are available from 25 to 2500 kVA. The core of the **Series NB** is the Series EPM (Extended Power Module). The EPM converts rotational energy into mechanical energy storage, which bridges the gap should normal power fail. **The Series NB** will start the back-up engine generator and seamlessly provide continuous electrical power to the critical load. The **Series NB** helps to guarantee the lowest possible power bill and the highest electrical power quality and the unit has been designed to protect demanding electrical systems like Variable Speed Motor Drives that other power conditioning technologies can not handle.

The **Series NB** also known as a "batteryless UPS" can be custom fit to any application.



Standard Equipment Features

- 100% electrical isolation from all utility to load
- 24 x 7 power conditioning
- Back-up generator ready
- Touch screen interface
- Tight voltage regulation, no load to full load during transition
- Motor starting capability
- Adjustable Ride-through times without "nuisance Diesel Engine starts"
- Engine generator operation to 8 hours or more (with diesel options)
- 20 years plus service life
- Single point contact for all service and maintenance
- Lowest "part count" in the industry

Optional Features

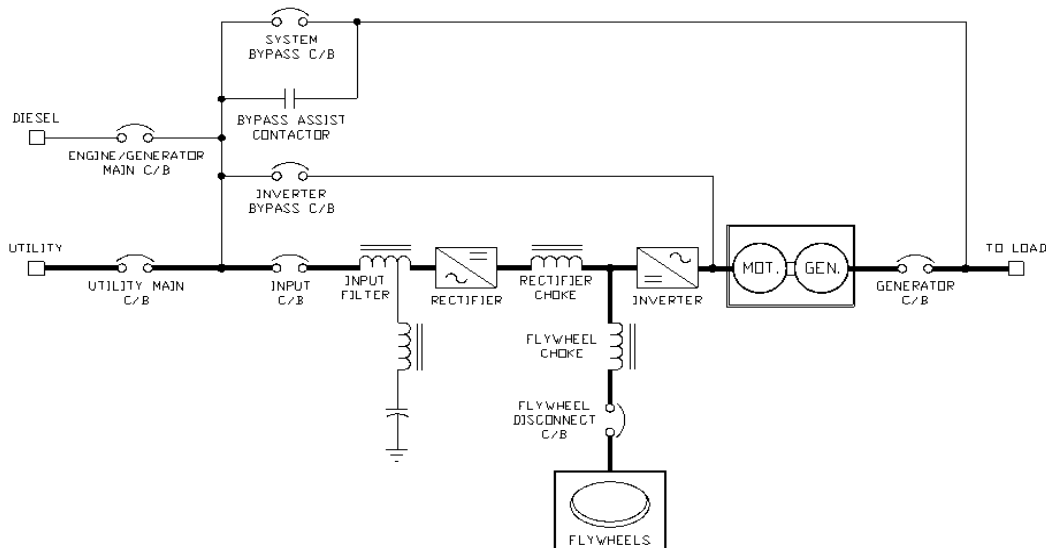
- Split input/output voltage
- Backup diesel generator with transfer switch
- Remote touch screen (control)
- Parallel modules and "Ring Bus" configurations to 10,000 kVA
- Remote monitor (Status & Alarm)
- Remote communications
- Emergency back-up engine

POWER SYSTEMS
& CONTROLS
THE POWER IS ON!

System Specifications

*Note: System performance shown is typical and is dependent upon M-G sizing, options desired, and loading of the system.

INPUT		OUTPUT	
Nominal Voltage Available		Nominal Voltage Available	
➤ @ 60 Hz	208, 240, 480, 600	➤ @ 60 Hz	208, 240, 480, 600
➤ @ 50 Hz	380, 415	➤ @ 50 Hz	380, 415
➤ Phase	3 Phase 4 Wire + G	➤ Phase	3 Phase 4 Wire + G
➤ Frequency Tolerance	57 to 63Hz or 47 to 53	➤ Frequency Regulation	± 0.5%
➤ Magnitude Tolerance		➤ Adjustment	± 10%
➤ Continuous	+10%, -15%	➤ Regulation	
➤ Transient	1500v for 10 ms	➤ Transients	50% Block Load +/- 8%
Power Factor		➤ Recovery Time	0.5 within 0.5 seconds
➤ Starting Inrush	Less than 100%	➤ Steady State	+/-0.5% Δ 90° F
ENVIRONMENT		THD (Total Harmonic Distortion)	
➤ Temperature	32° F to 104° F (0° C to 40° C)	➤ Single	2% Max
➤ Altitude	0 to 1500 meters (0 to 3300 FT)	➤ Total	3% Max
➤ Humidity	0 to 95% non-condensing	Phase Separation	
➤ Noise Level	@ 1.5 meters (5 FT)	➤ Balanced Load	120° +/- 1°
➤ Open	90 dBa	➤ 25% Unbalance	120° +/- 3°
➤ Enclosed	75 dBa	Overload Capacity	
		➤ 110%	2 Hours
		➤ 125%	10 Minutes
		➤ 150%	1 Minutes
		➤ Power Factor	0.8



Power Systems & Controls reserves the right to improve, enhance and modify the features and specifications of its products and services without prior notification.

POWER SYSTEMS
& CONTROLS
 THE POWER IS ON!