

# SERIES UPSC UPS Frequency Converter

The **Series UPSC** was designed to support critical facilities with Frequency Conversion needs. In an environment where a UPS is needed to support the load, however, the input and output power are not at the same voltage or frequency, the UPSC is the single solution. The **Series UPSC** is based on PS&C's MC product family - Time Tested. When your facility depends upon UPS power and you are faced with a frequency conversion problem, the **Series UPSC** will allow you to put one piece of equipment in place to handle both requirements. The **Series UPSC** is available up to 300KVA.

- Digital metering and controls
- 100% load isolation
- PLC controls and internal fault monitors
- Input voltage tolerance of +10%, -20% without use of battery
- Electrically operated input and output circuit breakers
- Input frequency tolerance from 45 Hz to 66 Hz



## Standard Equipment Features

- AC induction motor
- Brushless synchronous generator
- +10% output voltage adjustment
- Over/under output voltage protection
- Sound and vibration isolated enclosure
- Vertical motor-generator configuration for minimum footprint (some models)
- Battery float voltage automatically adjusts for low AC input voltages
- Superior motor starting capability
- Adjustable battery current limit
- Input THD filter -- meets IEEE 519
- Air Conditioning not required
- Overload protection
- Touch screen interface

## Optional Features

- Remote monitor (Status & Control)
- Remote touch screen (Standard & Fiber optic)
- Modem, serial port & profibus
- Single phase output
- Paralleling capability
- Remote Communications
- "Turn Key" Installation

**POWER SYSTEMS**  
**& CONTROLS**  
THE POWER IS ON!

# System Specifications

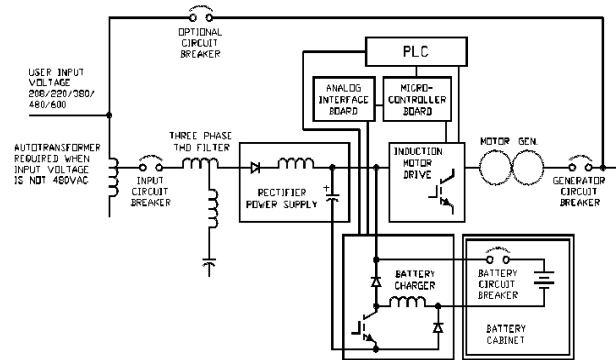
\*Note: System performance shown is typical and is dependent upon M-G sizing, options desired, and loading of the system.

INPUT		OUTPUT	
Nominal Voltage Available		Nominal Voltage Available	
➤ @ 60 Hz	208, 240, 480, 600	➤ @ 60 Hz	208, 240, 480, 600
➤ @ 50 Hz	380, 415	➤ @ 50 Hz	380, 415
➤ Phase	3 Phase 4 Wire+ Ground	➤ Phase	3 Phase 4 Wire + Ground
➤ Frequency Tolerance	55 to 65 or 45 to 55	➤ Frequency Regulation	+/- 5Hz
➤ Magnitude Tolerance		➤ Adjustment	± 10%
➤ Continuous	+10%, -15%	➤ Regulation	
➤ Transient	1500v for 10 ms	➤ Transients	50% Block Load +/-8%
Power Factor		➤ Recovery Time	0.5 within 0.5 seconds
➤ Power Factor	0.95 lagging @ full load	➤ Steady State	+/-0.5% Δ 90° F

SERIES MC RATINGS, DIMENSIONS & WEIGHTS					
60HZ	KVA /KW	L (CM)	W (CM)	H (CM)	W (KGS)
UNDER 30		CONSULT FACTORY			
30 / 24		36 (91.5)	34.5 (87.6)	76 (193)	1950 (884)
50 / 40		51 (130)	34.5 (87.6)	76 (193)	3000 (1361)
75 / 60		51 (130)	34.5 (87.6)	76 (193)	3950 (1791)
100 / 80		114 (289.6)	34.5 (87.6)	76 (193)	4800 (2177)
125 / 100		114 (289.6)	34.5 (87.6)	76 (193)	5200 (2359)
150 / 120		114 (289.6)	34.5 (87.6)	76 (193)	5500 (2495)
200 / 160		114 (289.6)	34.5 (87.6)	76 (193)	6100 (2767)
250 / 200		114 (289.6)	34.5 (87.6)	76 (193)	6410 (2907)
300 / 240		120 (304.8)	34.5 (87.6)	79.5 (201.9)	7073 (3215)
50HZ	KVA /KW	W (CM)	L (CM)	H (CM)	W (KGS)
25 / 20		39 (91.5)	34.5 (87.6)	76 (193)	1950 (884)
41.5 / 33		51 (130)	34.5 (87.6)	76 (193)	3000 (1361)
62.5 / 50		51 (130)	34.5 (87.6)	76 (193)	3950 (1791)
83 / 66.5		114 (289.6)	34.5 (87.6)	76 (193)	4800 (2177)
104 / 83		114 (289.6)	34.5 (87.6)	76 (193)	5200 (2359)
125 / 100		114 (289.6)	34.5 (87.6)	76 (193)	5500 (2495)
166.5 / 133		114 (289.6)	34.5 (87.6)	76 (193)	6100 (2767)
208 / 166.5		114 (289.6)	34.5 (87.6)	76 (193)	6410 (2907)
250 / 200		120 (304.8)	34.5 (87.6)	79.5 (201.9)	7073 (3215)

\* Battery Cabinet dimensions depends upon runtime required

THD (Total Harmonic Distortion)	
➤ Single	2% Max
➤ Total	3% Max
Phase Separation	
➤ Balanced Load	120° +/- 1°
➤ 25% Unbalanced	120° +/- 3°
Overload Capacity	
➤ 100% Rating	
➤ 110%	2 Hours
➤ 125%	10 Minutes
➤ 150%	1 Minutes
➤ Power Factor	0.8
Environment	
➤ Temperature	
➤ MG	0° -120° F
➤ Console	32° -104° F
➤ Altitude	3,300 ft
➤ Humidity	0 to 95% non-condensing
➤ Noise Level	65 dBA at 1.5 meters (5 ft)



Power Systems & Controls reserves the right to improve, enhance and modify the features and specifications of its products and services without prior notification.

