

SERIES LCP

LASER COMMS PROTECTION

The **Series LCP** is utilized to protect the communication transmission between buildings and or stations with not only surge protection, but also an “on line” UPS module. This “harsh environment” unit has been designed in support of the “mission critical” customer for use around the world. PS&C Series LCP can operate in the most remote locations where in the input power move around from the single phase 120V numerous times within an hour. As an option, the Series LCP takes an input of (220 - 240) voltage at 50 or 60hz power and will deliver clean isolated 120 volt, single phase, 50hz or 60hz output. The standard output is achieved via 3 hospital grade duplex outlets and an isolated ground. The unit further protects the load by means of an input TVSS for the power and Ethernet/phone.



PS&C also equips the Series LCP with the capability of “Hot Start” directly from the battery in order to give the user a few minutes of power when no source is available.

Standard Equipment Features

- All welded construction
- Vibration stabilization under all individual components
- 120 volt transient voltage surge suppression on input - with visual indication
- Over/under output voltage protection
- Recessed input, output and ground
- Temperature sensor on battery
- Wide input range
- Auto restart
- Air conditioning not required
- Overload protection
- Portable on casters
- ANSI 61 gray or black
- SNMP compatibility for UPS monitoring via network (optional)

Design Standards

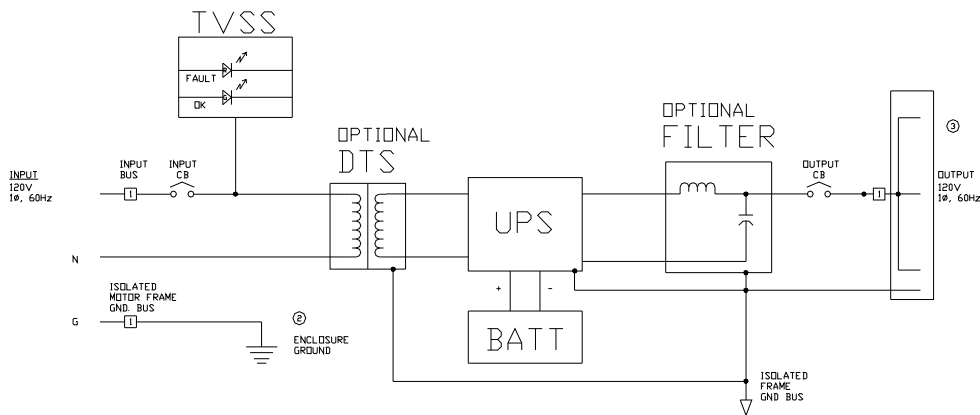
- TVSS on the Input (UL 1449)
- Isolation transformer (DTS Spec.) Optional
- Double Conversion, IGBT PWM rectifier / inverter (UL 1778)
- Input power factor correction
- ASTM B545-97 (Filter Construction) Optional
- Input THD filter -- meets IEEE 519
- UL 1283
- Divorced Grounds



POWER SYSTEMS
& CONTROLS
THE POWER IS ON!

System Specifications

INPUT					OUTPUT		
Nominal Voltage Available					Nominal Voltage Available		
➤ @ 60 Hz		120, 208, 240			➤ @ 60 Hz		120 Single phase
➤ @ 50 Hz		120, 208, 230			➤ @ 50 Hz		120 Single phase
* Standard Build-UP 120 Single Phase							
Phase					Regulation		
Single Phase with Safety Gnd. and Divorced Gnd.					➤ Frequency Regulation		+/- .5%
Frequency Tolerance					➤ Voltage Regulation		+/- 3%
30-70Hz					Output Current (RMS)		
Case and Factor					➤ 20 Amps		
2.5 @ Full Load					Overload Capacity (Rating)		
Dimensions					100%	125%	150%
					Continuous	1 Minute	30 Seconds
KVA/	W (IN)	L (IN)	H (IN)	W (LBS)	Power Factor		
2.4	14	25	24	150	➤ .7		
Standards					ENVIRONMENT		
UL - 1778					➤ Temperature		0° -104° F (0° -40° C)
					➤ Altitude		0-1000 Meters
					➤ Humidity		30-90% Non-Condensing
					➤ Efficiency		86%



Power Systems & Controls reserves the right to improve, enhance and modify the features and specifications of its products and services without prior notification.

POWER SYSTEMS
& CONTROLS
THE POWER IS ON!