



POWER SYSTEMS & CONTROLS

THE POWER IS ON!

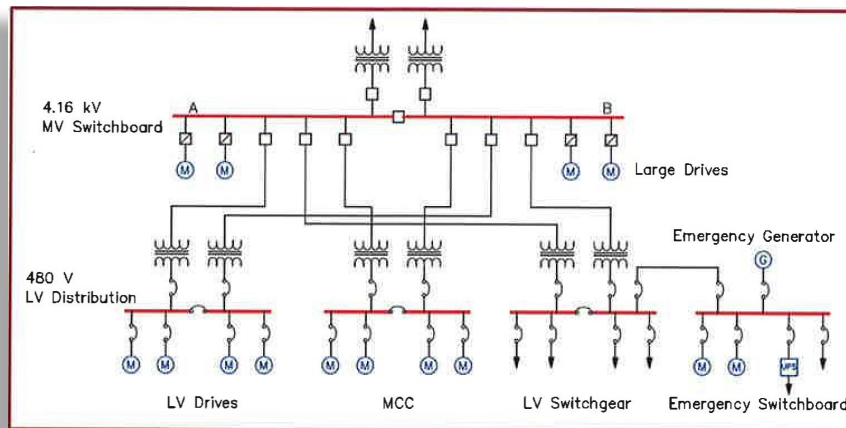


ONE-LINE DIAGRAM

ELECTRICAL ONE-LINE DEVELOPMENT

Power Systems & Controls will conduct a comprehensive site survey, creating a One-Line Diagram to serve as your power "backbone".

ONE-LINE DIAGRAM:



A One-Line Diagram serves as the "Master" document for your facilities electrical distribution system. Often referred to as a "single-line diagram (SLD)", it is not only a blueprint of your power flow, but also serves as quick reference. Depending upon the details, an Electrical Engineer can determine specific power loads with just a glance at the diagram.

This document is necessary for the completion of tasks that are required on an annual basis. See a few of those tasks listed under "The One-Line Diagram Enables" below. There are many more unlisted items effected by the One Line Diagram, however, the one that benefits the most is the Arc Flash Study.

NFPA-70E codes (Standards for Electrical Safety in the Workplace) require an accurate, up to date One-Line Diagrams for each facility. OSHA or VOSH also uses these as reference in the work place also

THE ONE-LINE DIAGRAM ENABLES:

- Arc Flash Evaluation
- Coordination Study
- Grounding Assessment
- Short Circuit Study

THE ONE-LINE DIAGRAM BENEFITS:

- Decrease Insurance premiums (NFPA 70E compliance)
- Grounding Assessment
- Starting point when troubleshooting the power path
- Visual tool for Facility Safety training

THE ONE-LINE DIAGRAM PROVIDES:

- Critical and non-critical loads buses
- Future plans for equipment and loads
- Inventory of distribution equipment
- Layout of all major connected loads
- Main Entrance power thru Distribution Switchboards and possibly to connected loads
- Roadmap or quick snapshot of your power "backbone" when looking for problem areas